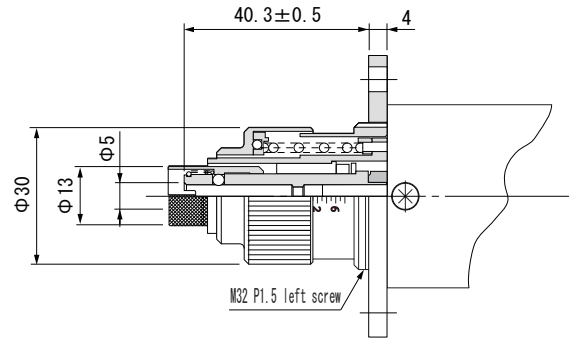
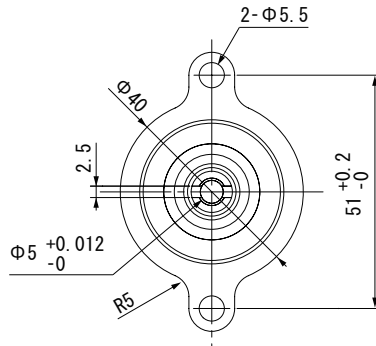


BLF-5000



The flange has a left hand thread